



1

E-EL-...

02-03



2

09-KW...

04-05



3

09-MK...

06-07

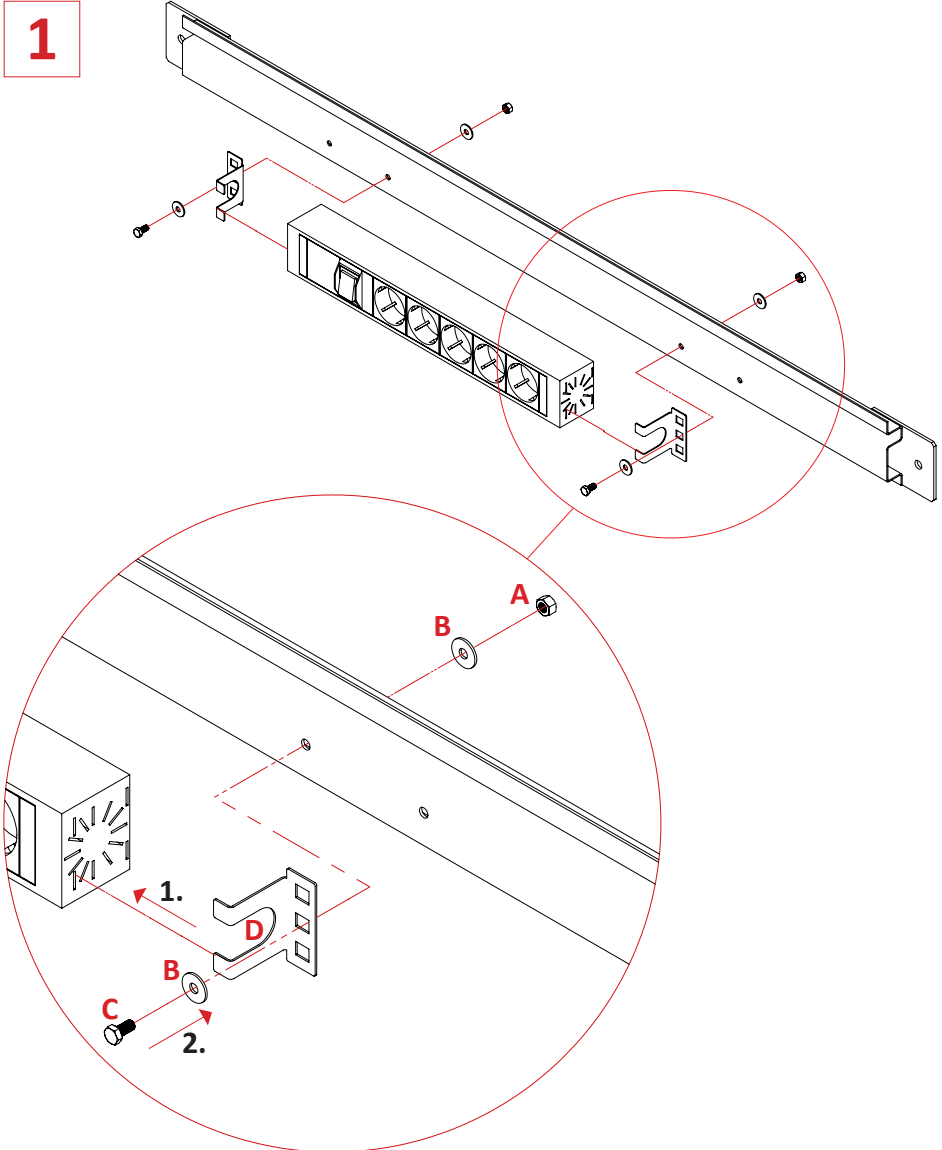


**1**

E-EL...

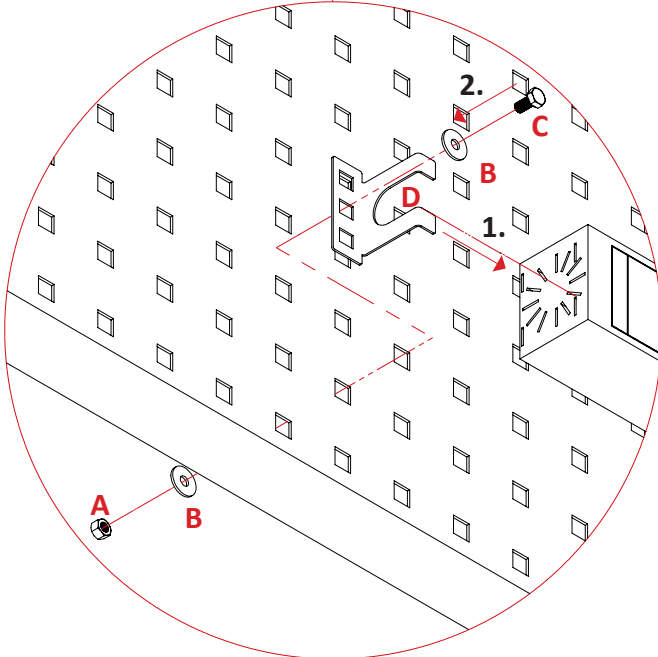
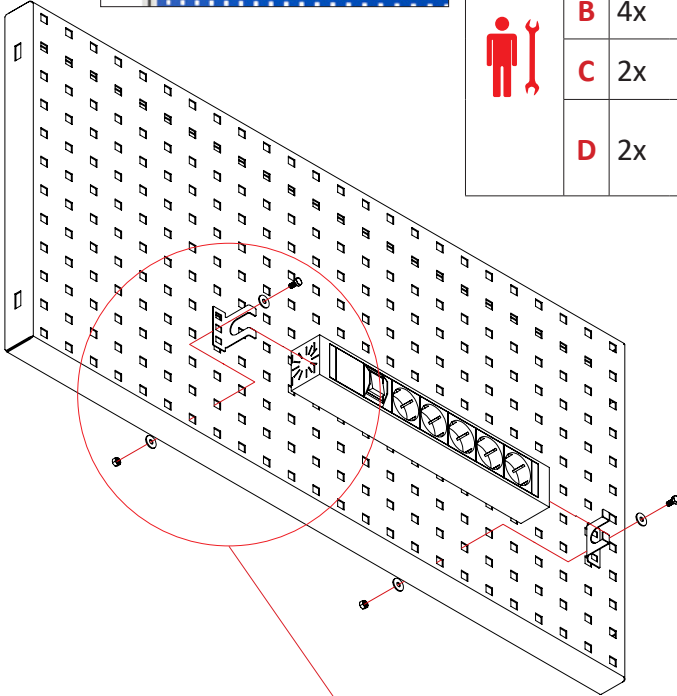


	<b>A</b>	2x M5	
	<b>B</b>	4x $\varnothing$ 5,3mm	
	<b>C</b>	2x M5 x 10	
	<b>D</b>	2x	

**1**

**2**

	<b>A</b>	2x M5	
	<b>B</b>	4x $\varnothing$ 5,3mm	
	<b>C</b>	2x M5 x 10	
	<b>D</b>	2x	



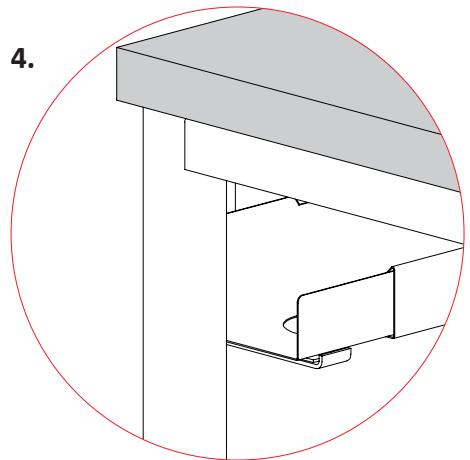
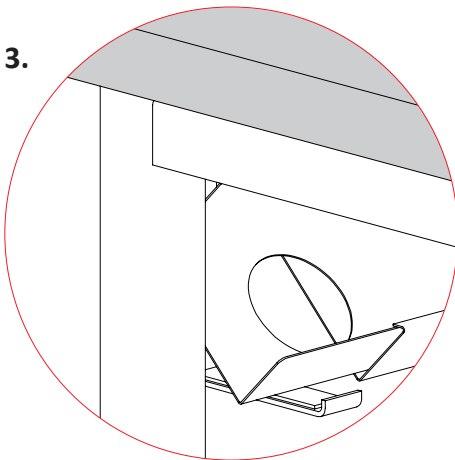
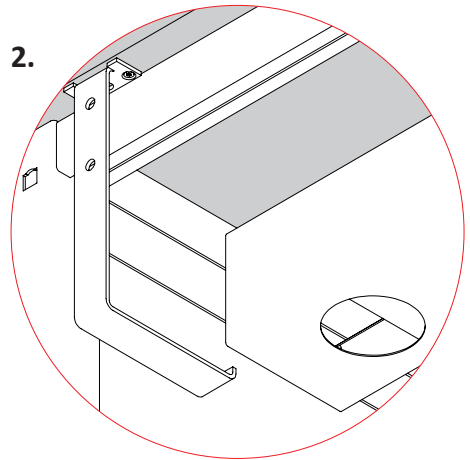
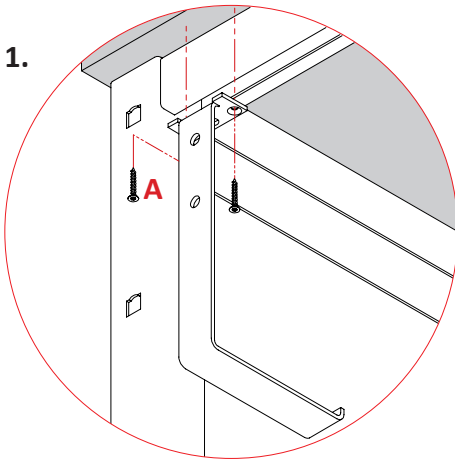
**2**

09-KW...

**1**

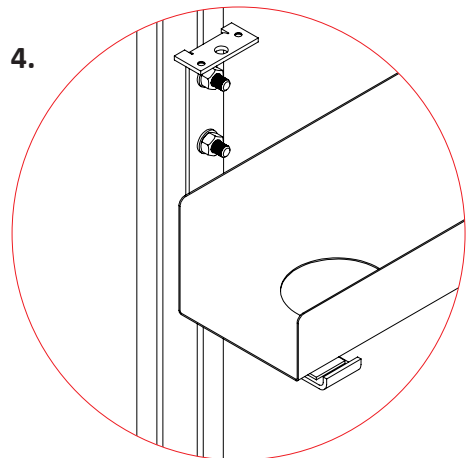
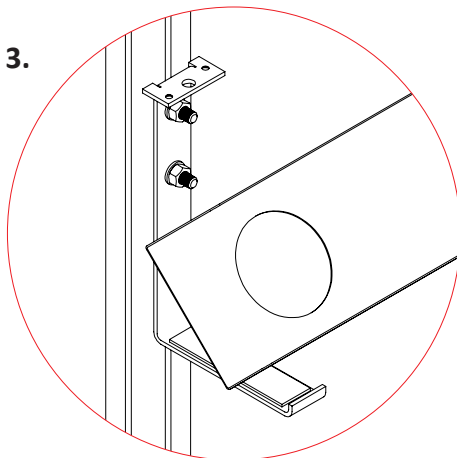
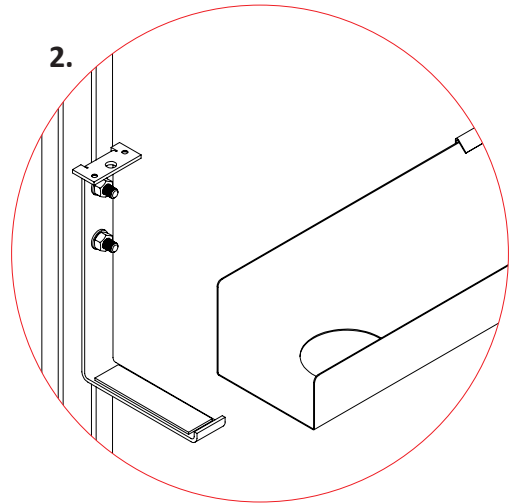
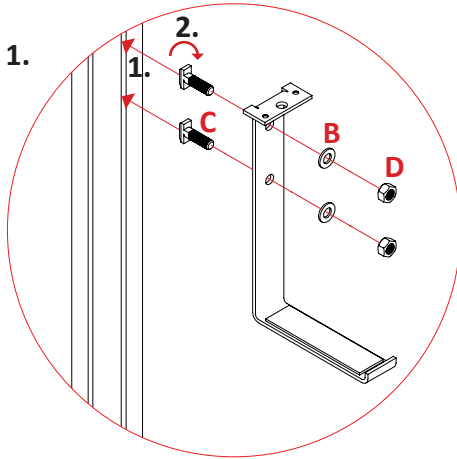


	<b>A</b> 4x 4,5x16	
--	--------------------	--



**2**

 <b>SW13</b>	<b>B</b>	4x $\varnothing 8,4\text{mm}$	
	<b>C</b>	4x M8x20	
	<b>D</b>	4x M8	



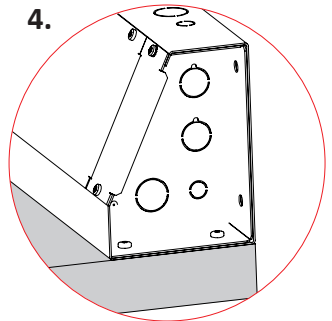
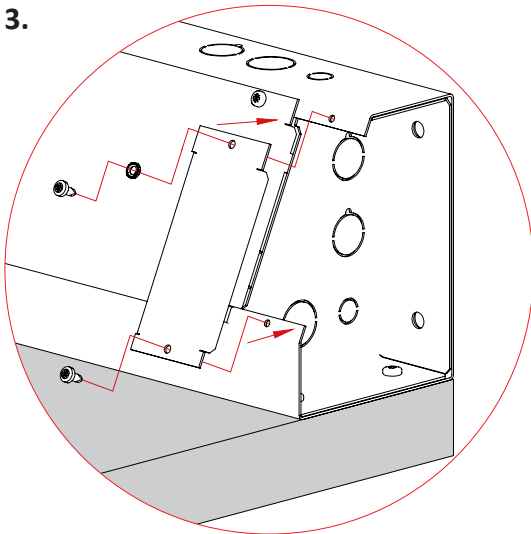
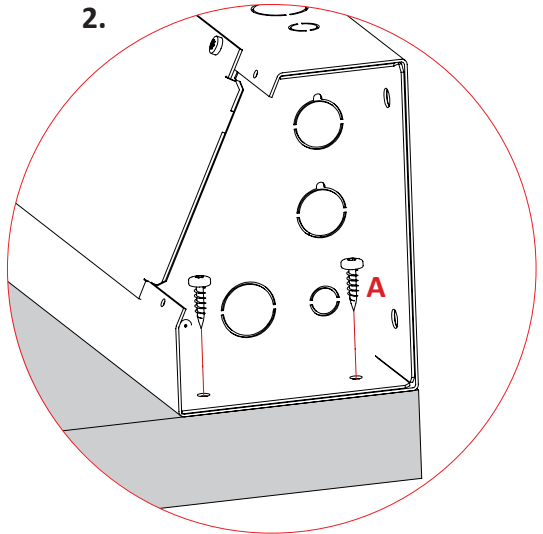
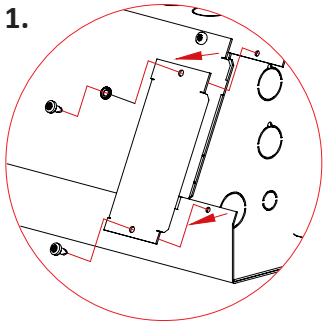
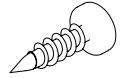
3

09-MK...

1



A 4x 5x20



2



 SW13	<b>B</b>	4x $\varnothing 8,4\text{mm}$	
	<b>C</b>	4x M8x20	
	<b>D</b>	4x M8	

