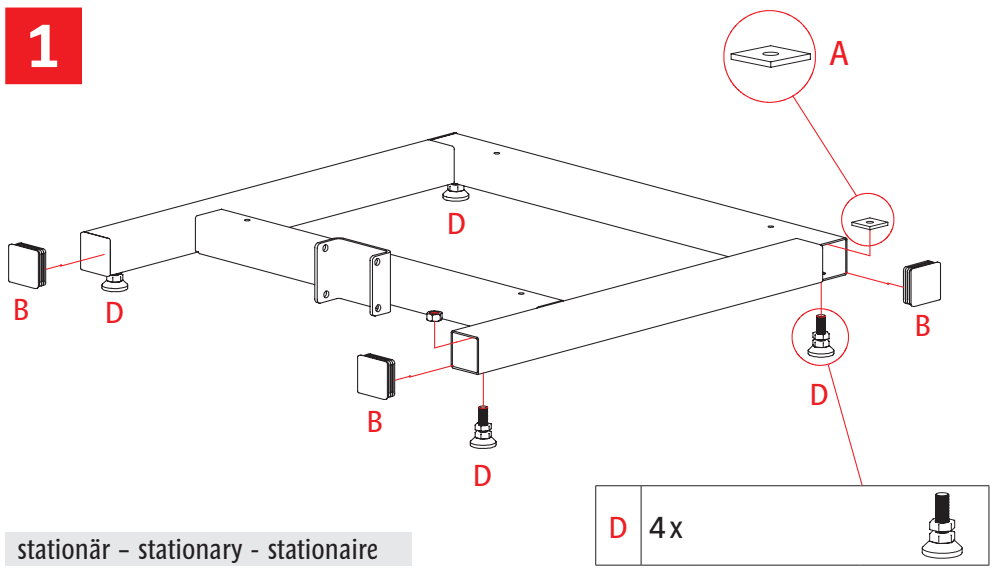






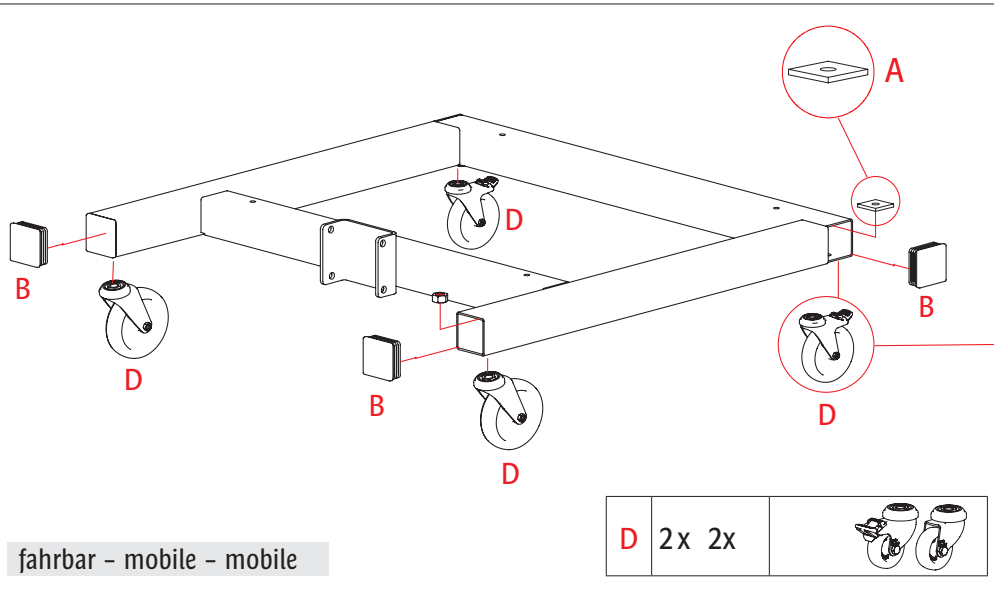


1

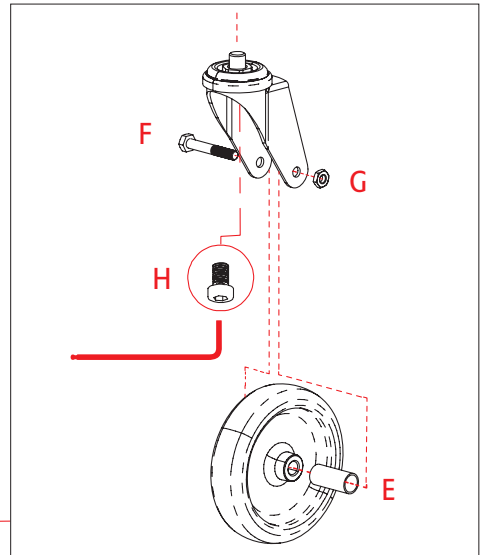







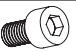
stationär - stationary - stationaire

  SW13	A	4x M10	
	B	4x	
	C	4x 5x16 mm	 

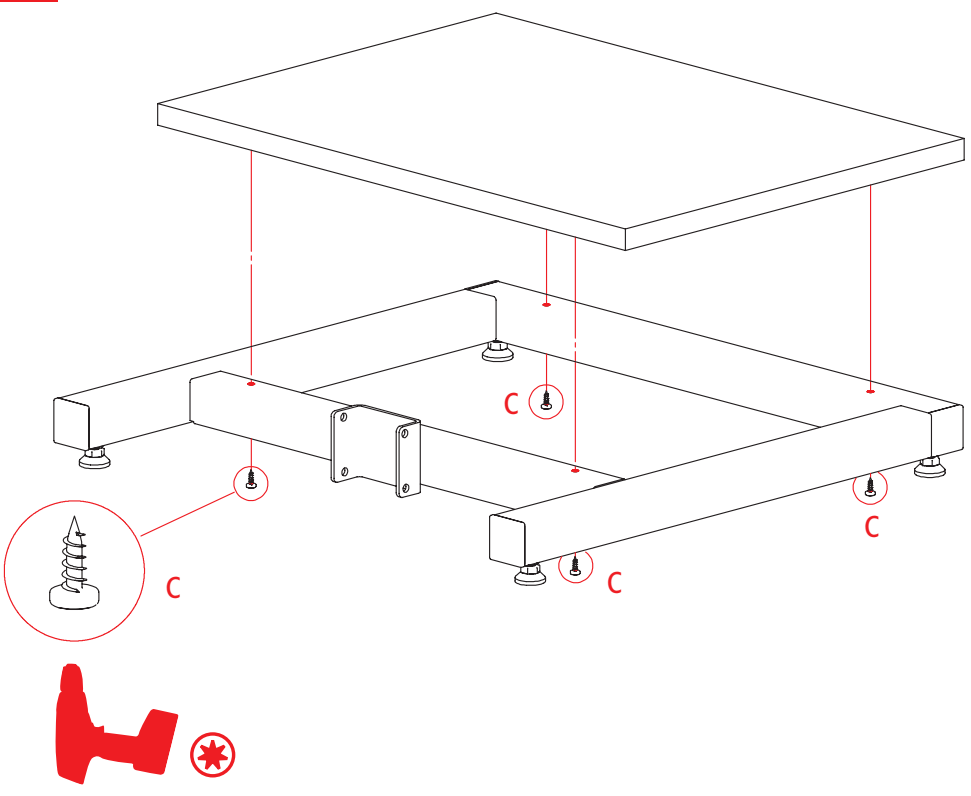


fahrbar - mobile - mobile

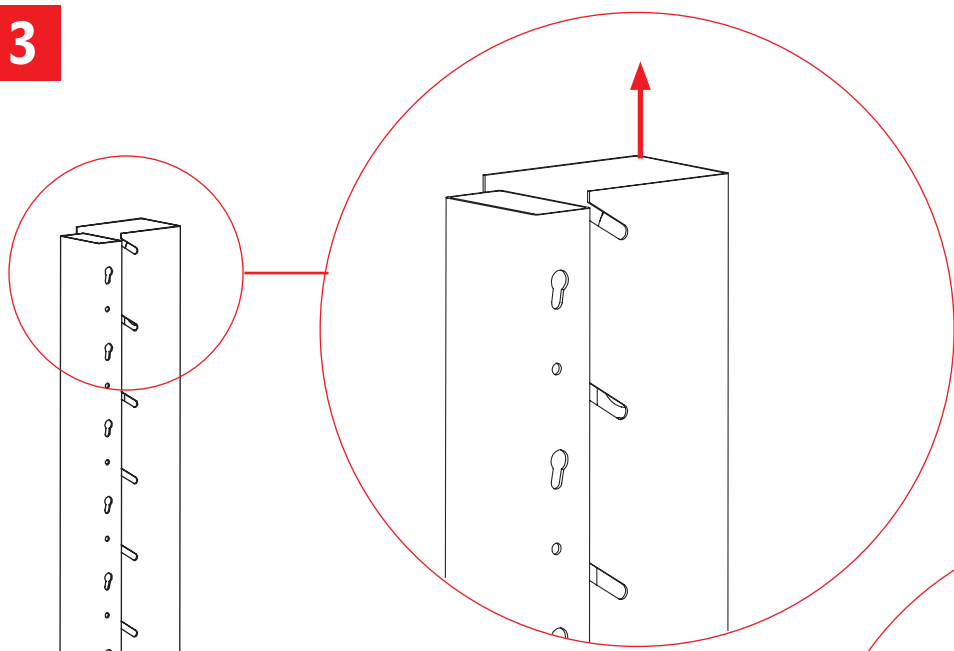


 SW8	E	4x	
	F	4x M6x35 mm	
 SW10	G	4x M6	
	H	4x M10x16 mm	

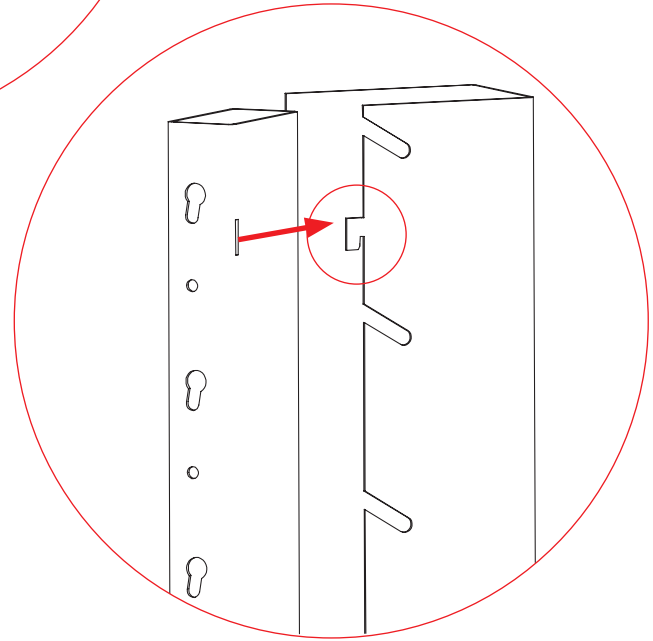
2



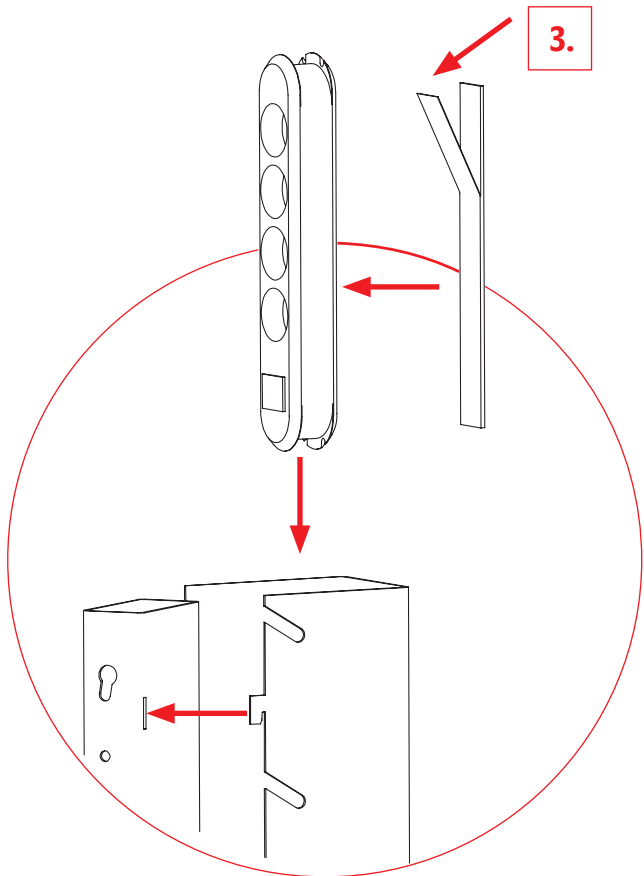
3



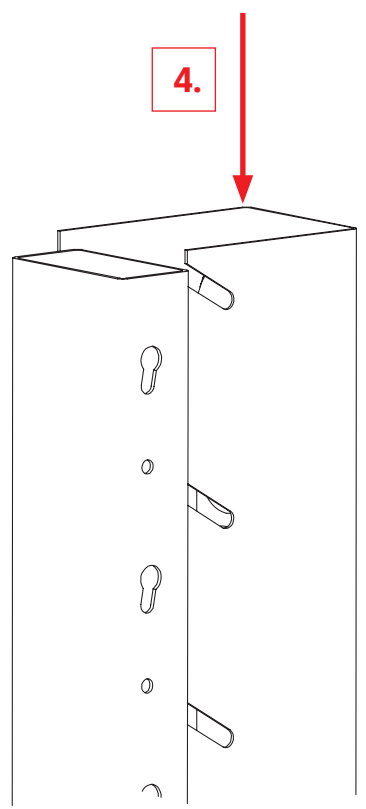
1.



2.









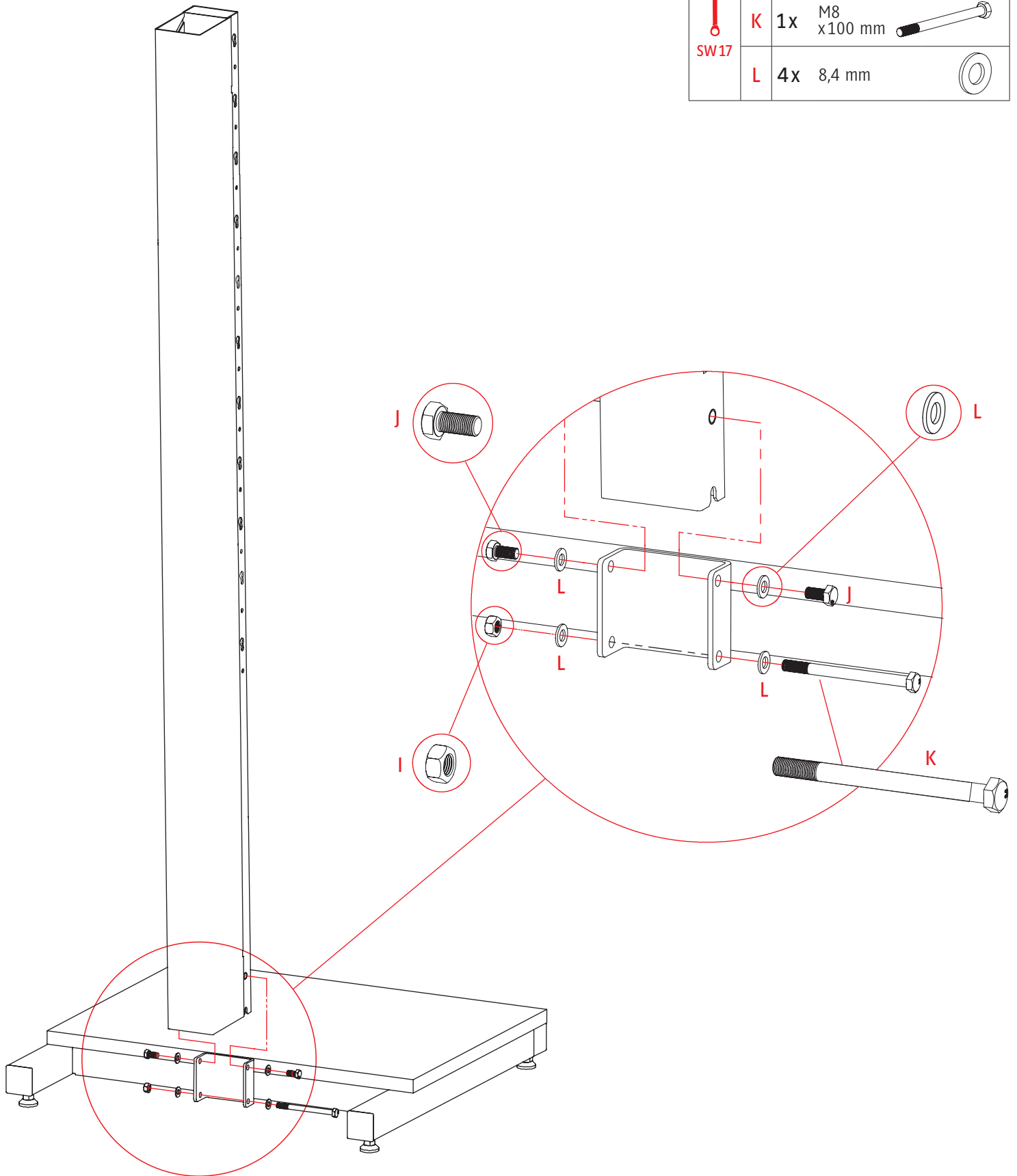
3.



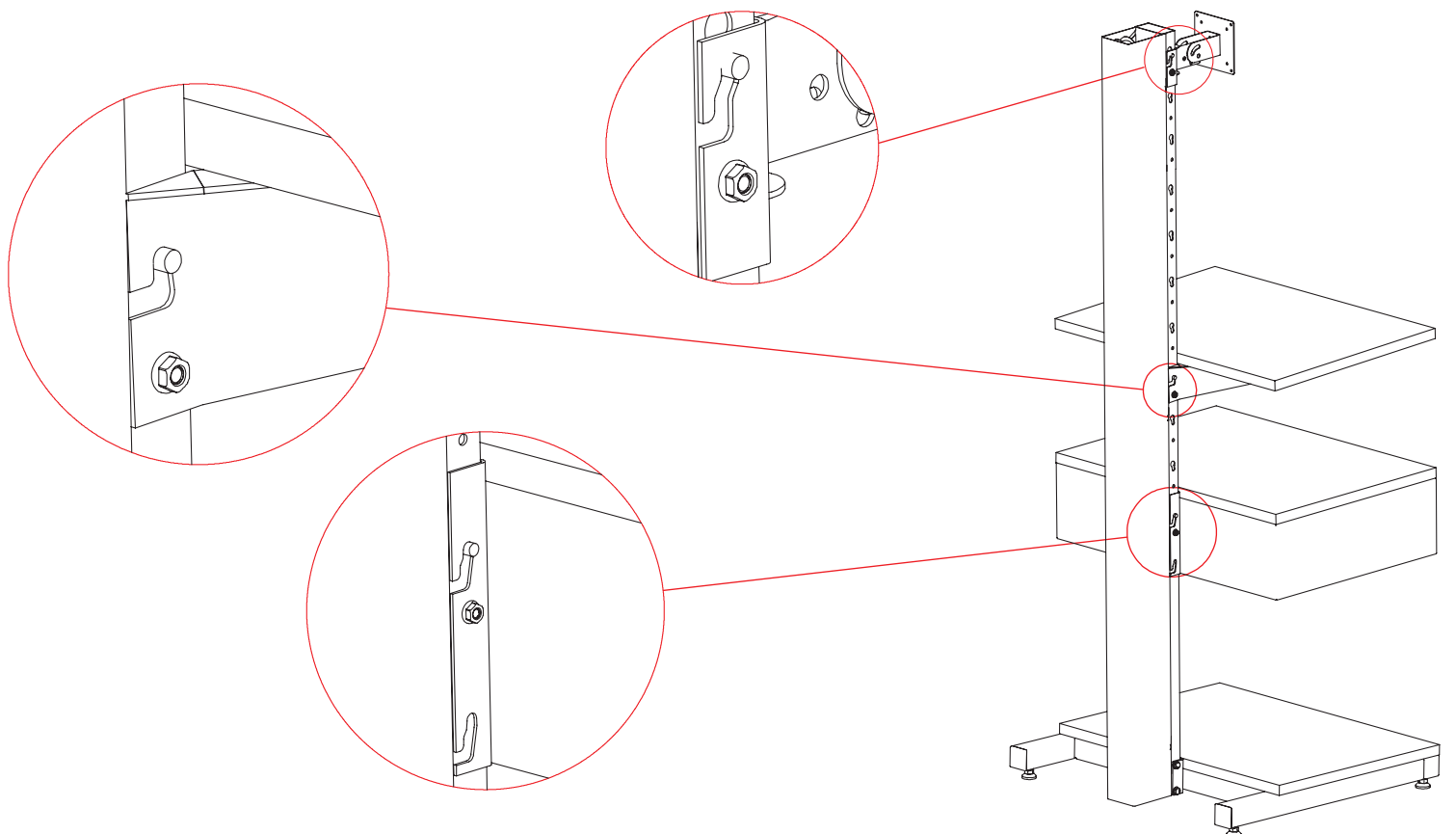
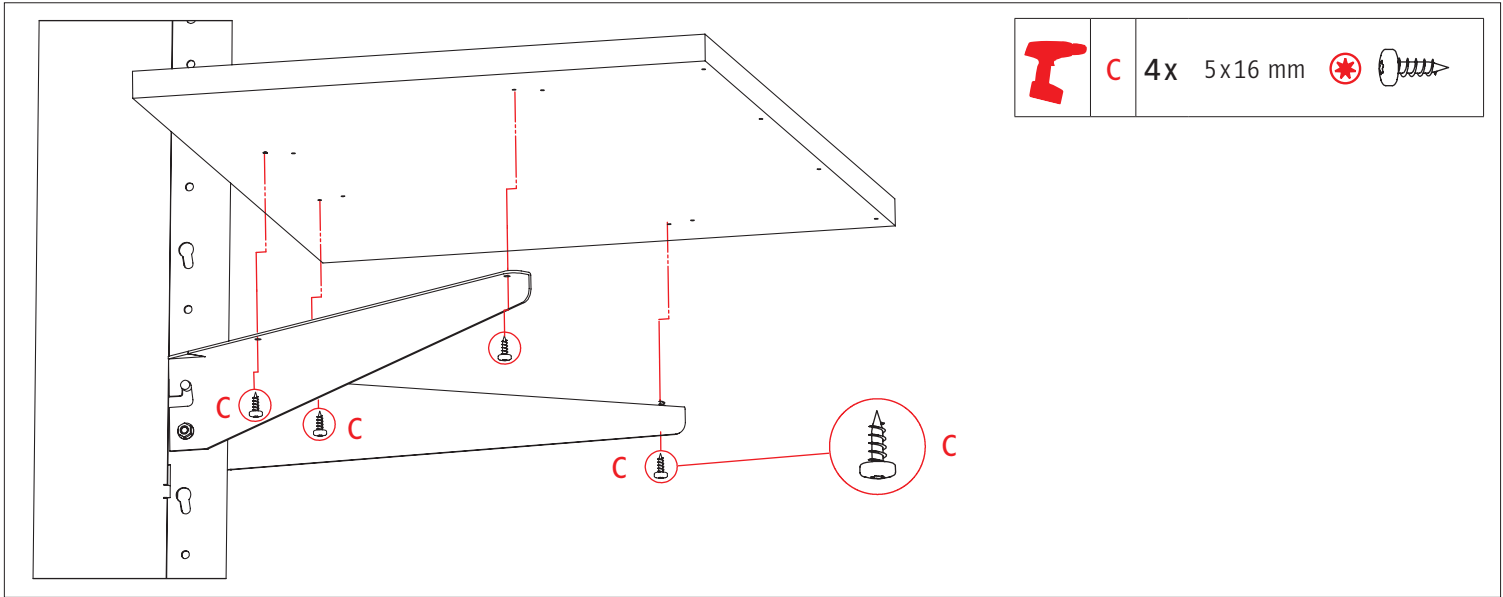
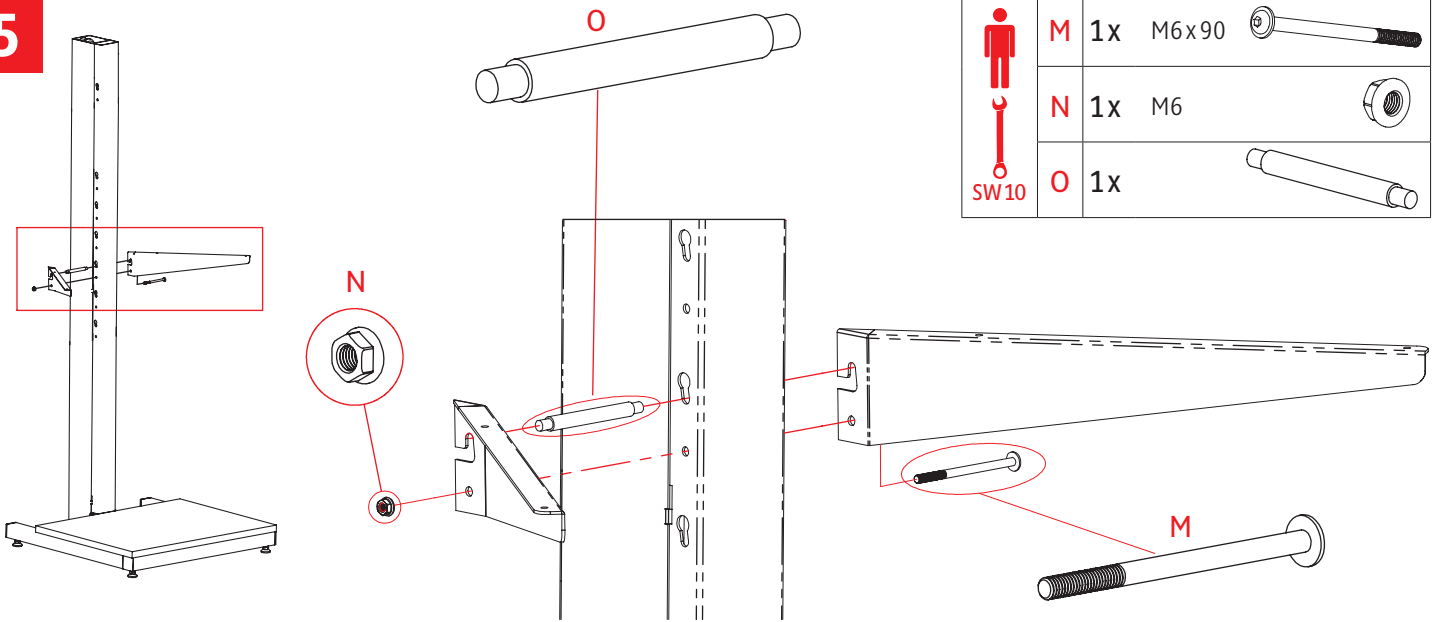
4.

4

  SW17	I	1x M8	
	J	2x 8x16 mm	
	K	1x M8 x100 mm	
	L	4x 8,4 mm	






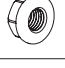
5





07 6054



	<b>M</b> 1x M6x90 
	<b>N</b> 1x M6 
<b>SW10</b>	<b>O</b> 1x 