

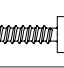

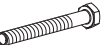



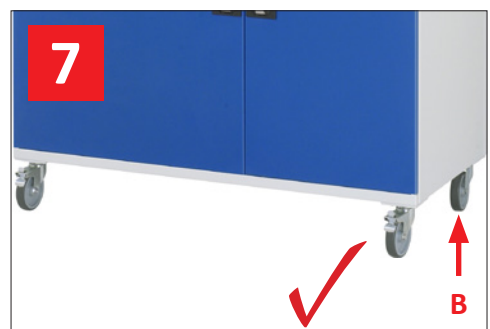
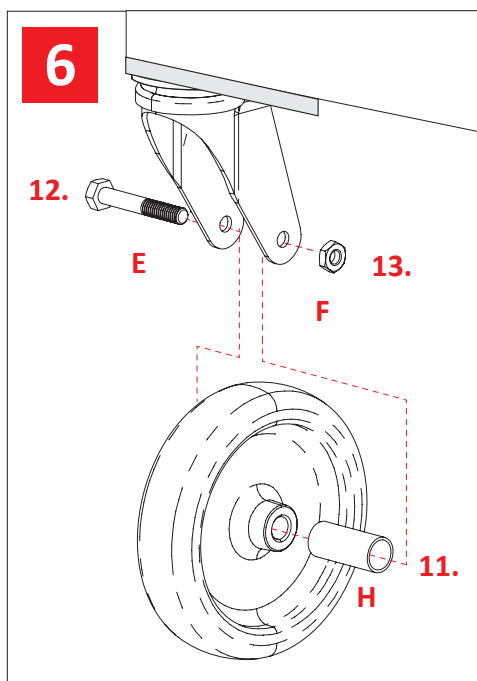
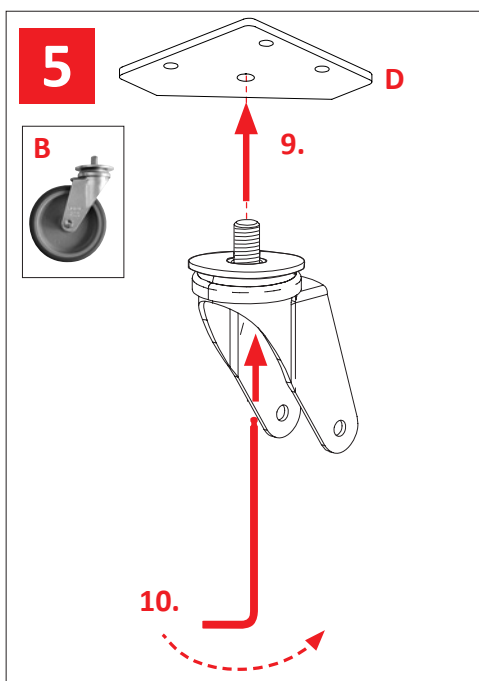
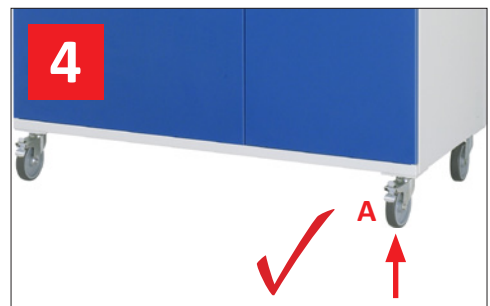
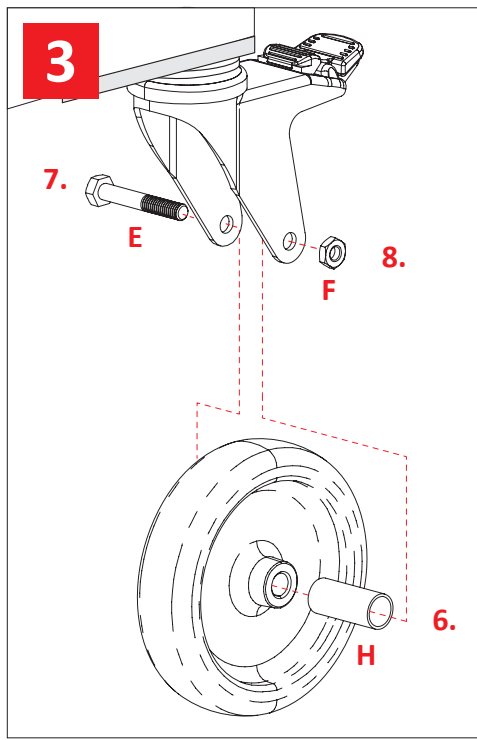
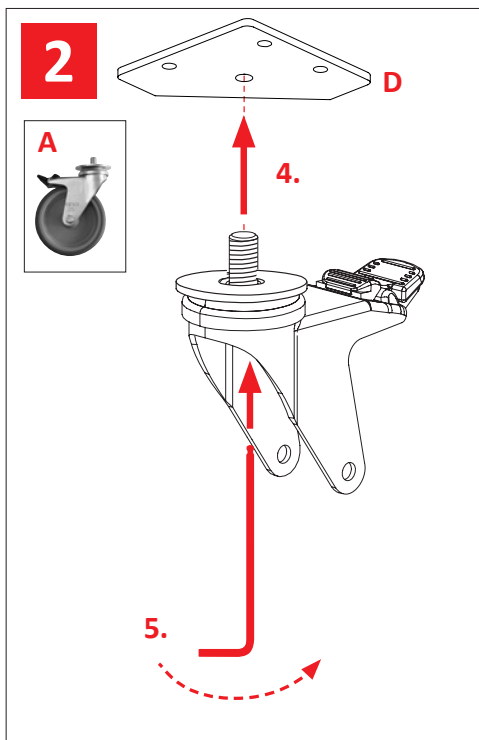
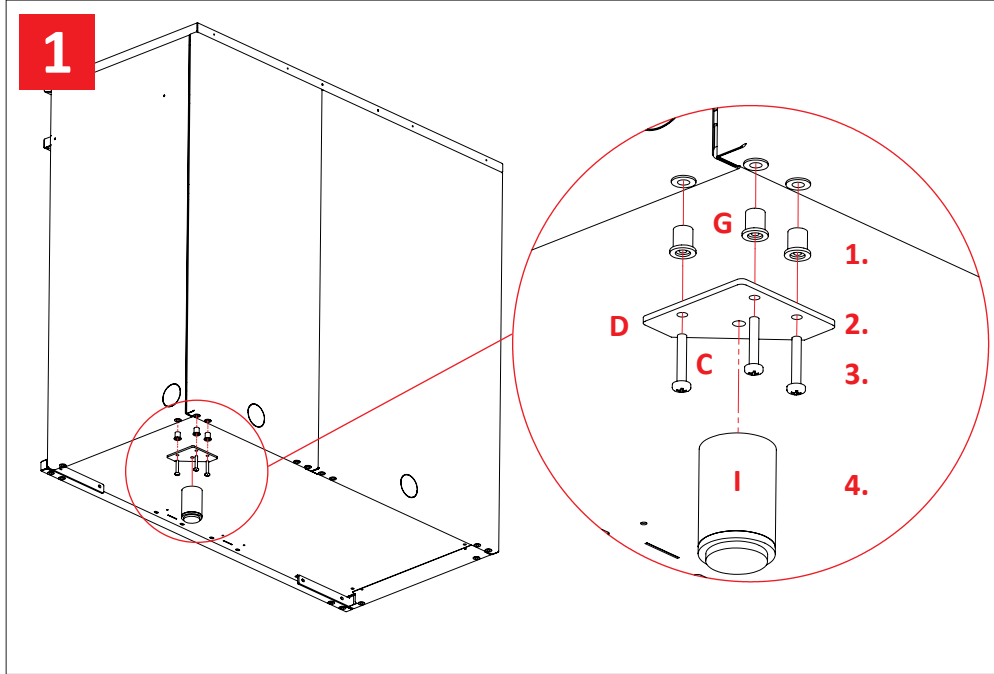





	<b>A</b>	2x	
	<b>B</b>	2x	
	<b>C</b>	12x 30 x 12 mm	
	<b>D</b>	4x	
	<b>E</b>	4x	
	<b>F</b>	4x	
	<b>G</b>	12x	
	<b>H</b>	4x	





  <b>SW13</b>	<b>C</b>	12x 30 x 12 mm	
	<b>D</b>	4x	
	<b>G</b>	12x	
	<b>I</b>	4x	