



1

03-EF...

02



2

03-EFHV...

03



3

03-200.1...

04



4

03-L2. ...

13-L2. ...

06



5

03-L5. ...

13-L5. ...

08


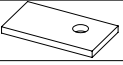

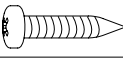


1

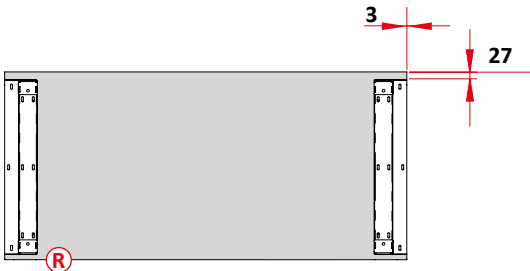
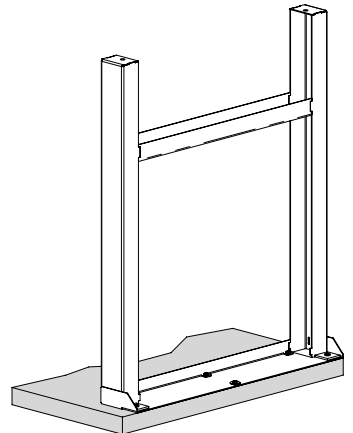
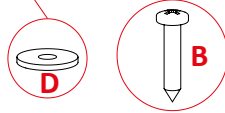
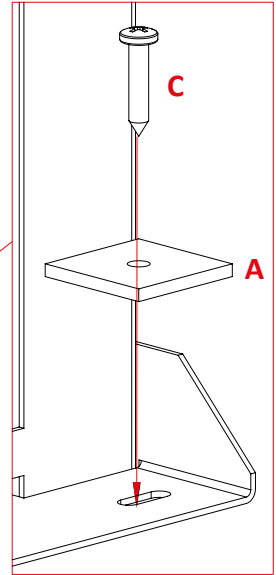
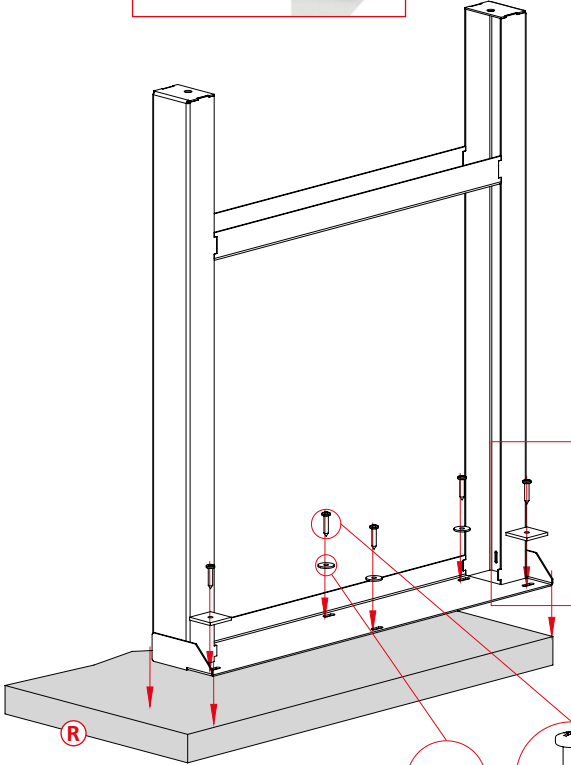
03-EF...



D: Radius vorne
E: front radius
F: devant radius



	A 2x $\varnothing 6\text{mm}$	
	B 4x 6x30mm	
	C 2x 6x40mm	
SW13	D 4x $\varnothing 6,6\text{mm}/$ $\varnothing 22\text{mm}$	



2

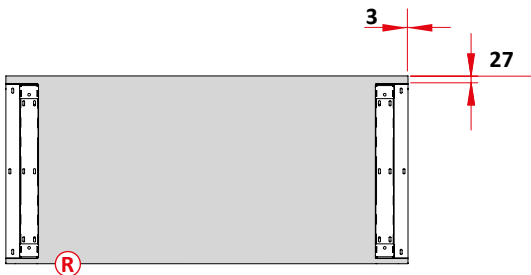
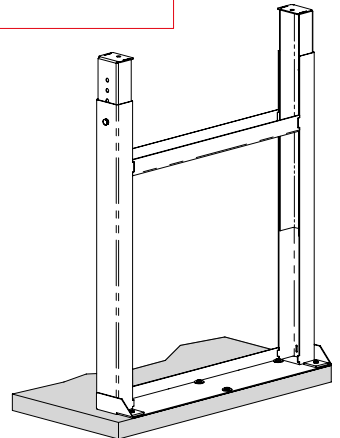
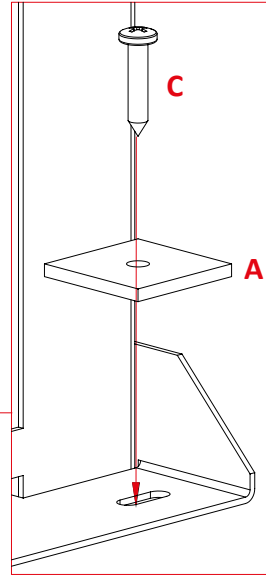
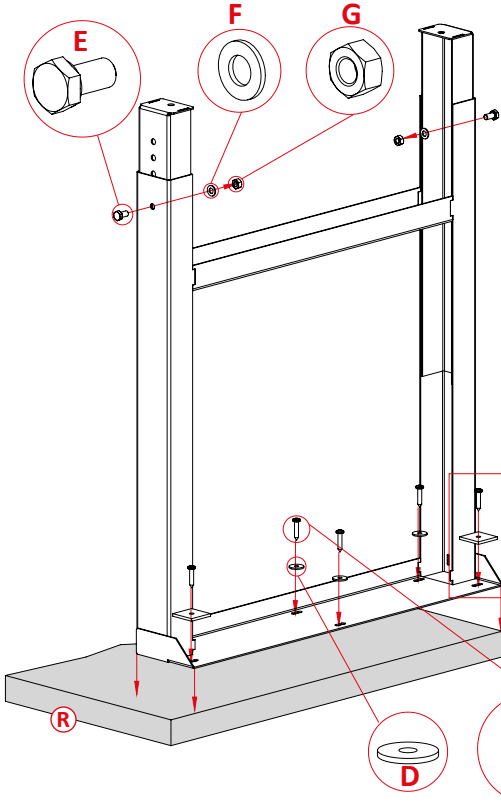
03-EFHV...



D: Radius vorne
E: front radius
F: devant radius

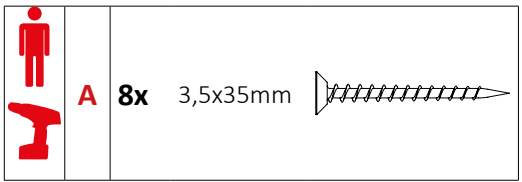


 SW13	A	2x	Ø6mm	
	B	4x	6x30mm	
	C	2x	6x40mm	
	D	4x	Ø6,6mm/ Ø22mm	
	E	2x	M8x16mm	
	F	2x	Ø8,4mm/ Ø16mm	
	G	2x	M8	

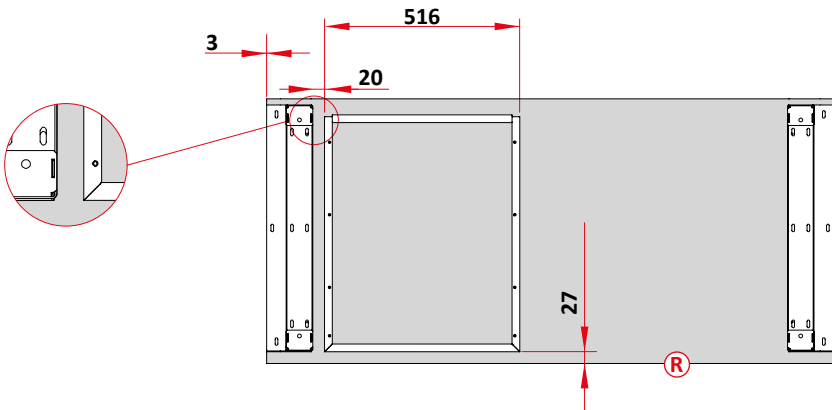
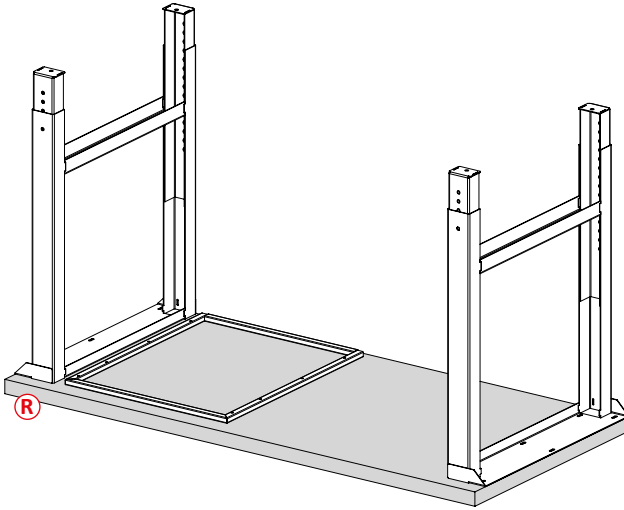


3

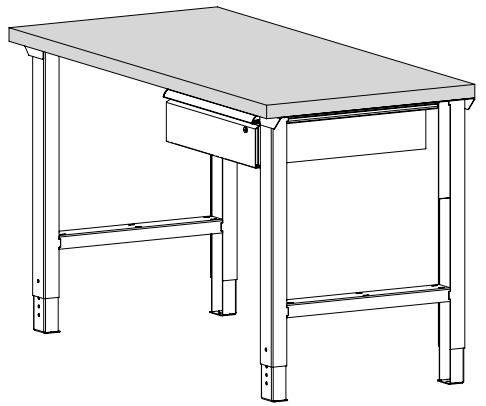
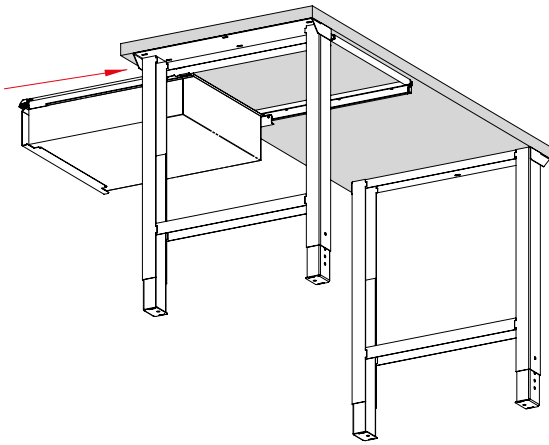
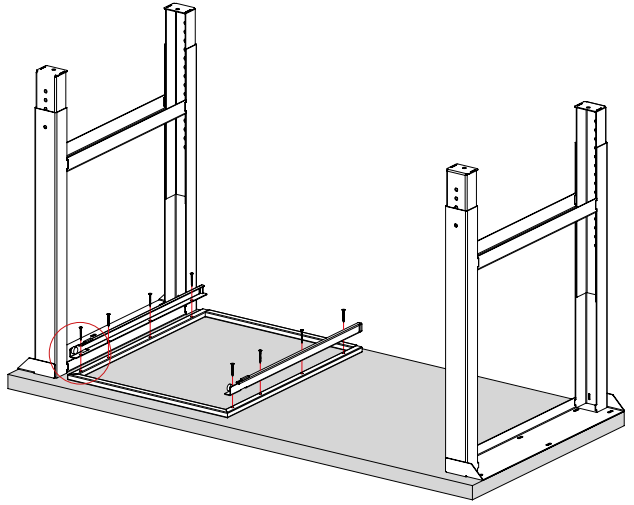
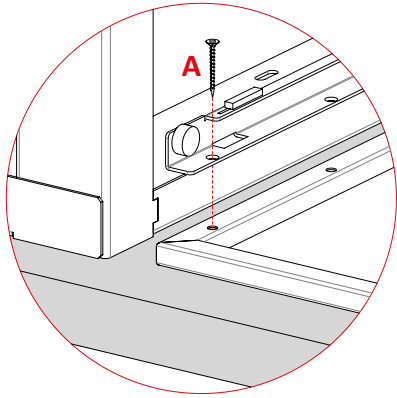
03-200.1A...



1

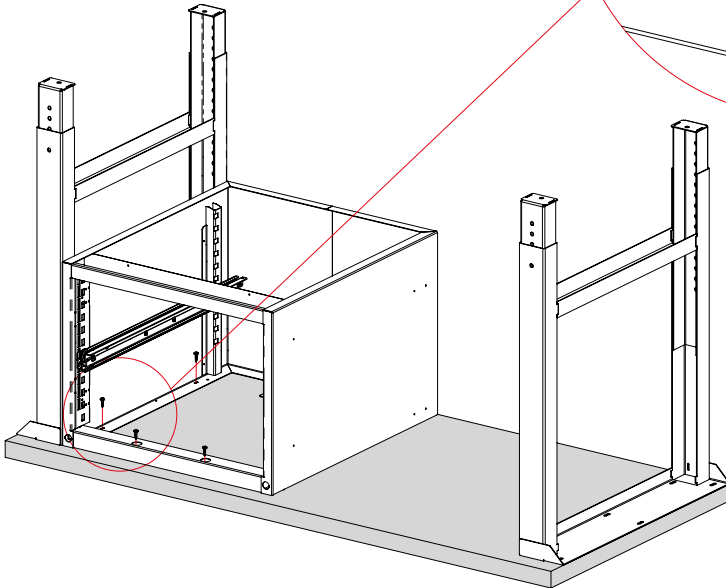
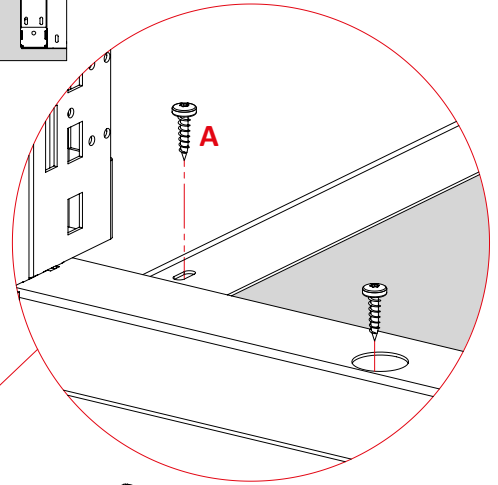
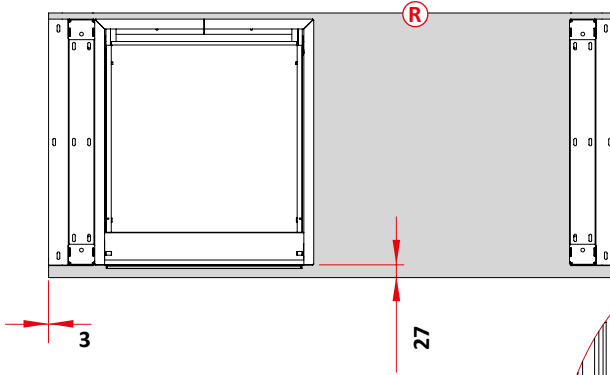
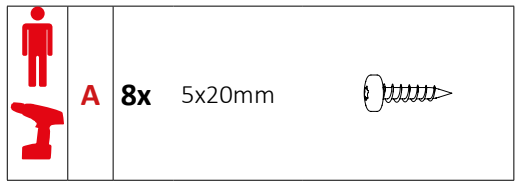


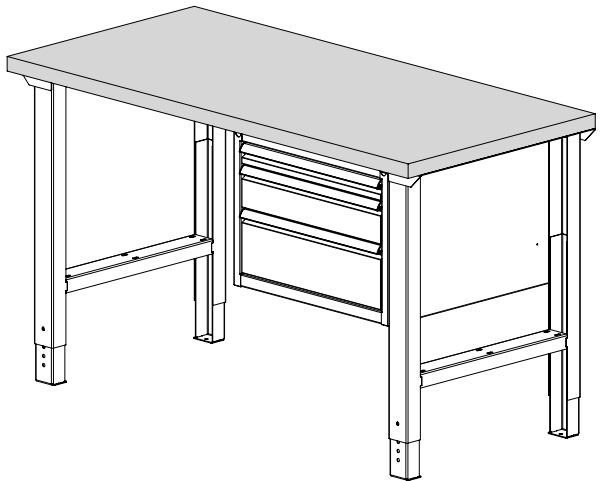
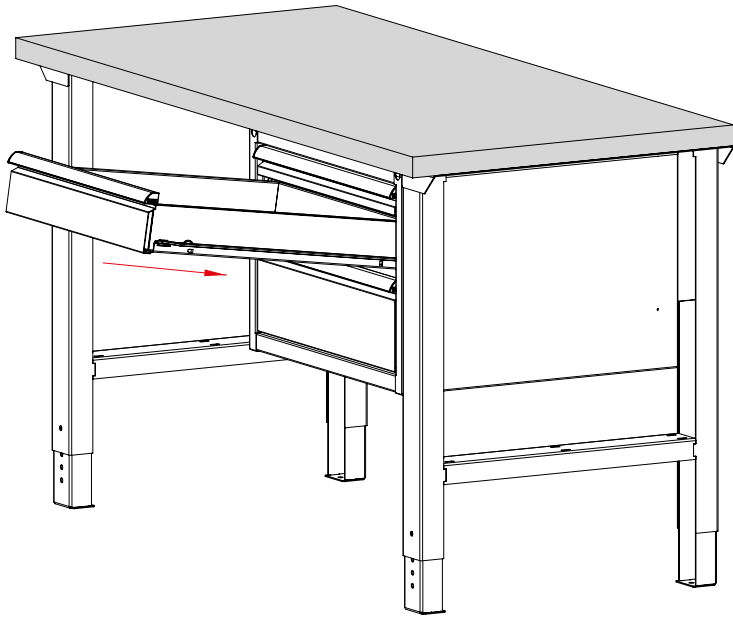
2



4

03-L2. ...
13-L2. ...





5

03-L5. ...
13-L5. ...

