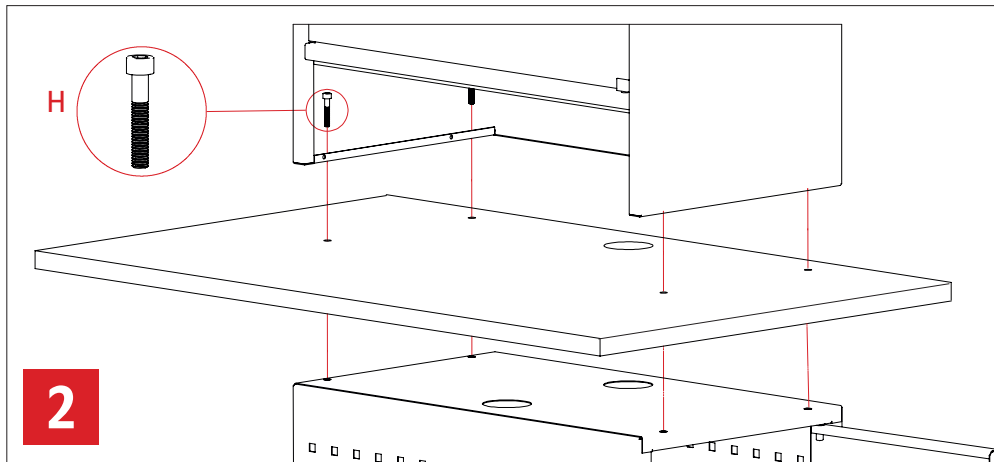
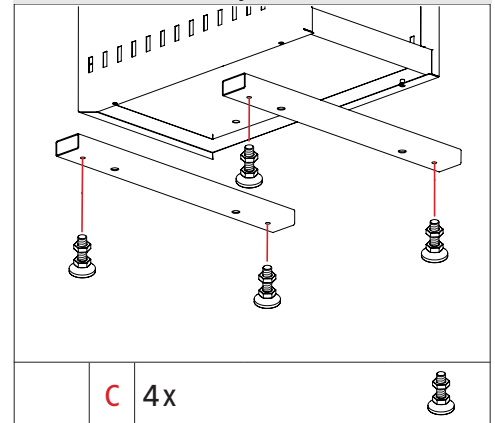


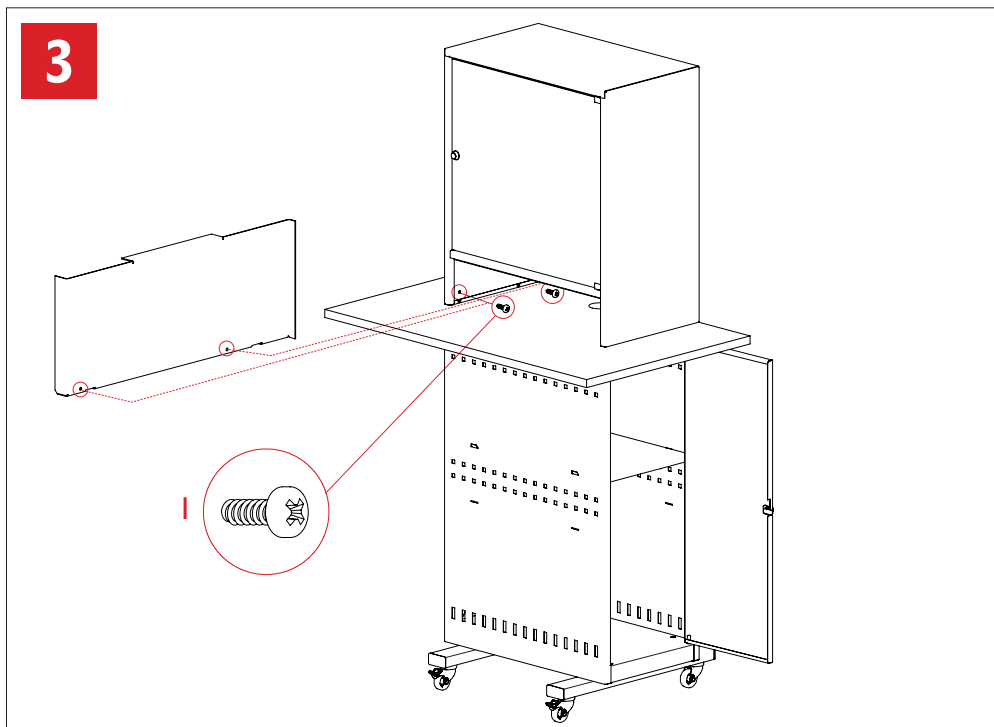
SW 5	A	8x	M6x12 mm	
	B	4x	Stopfen	

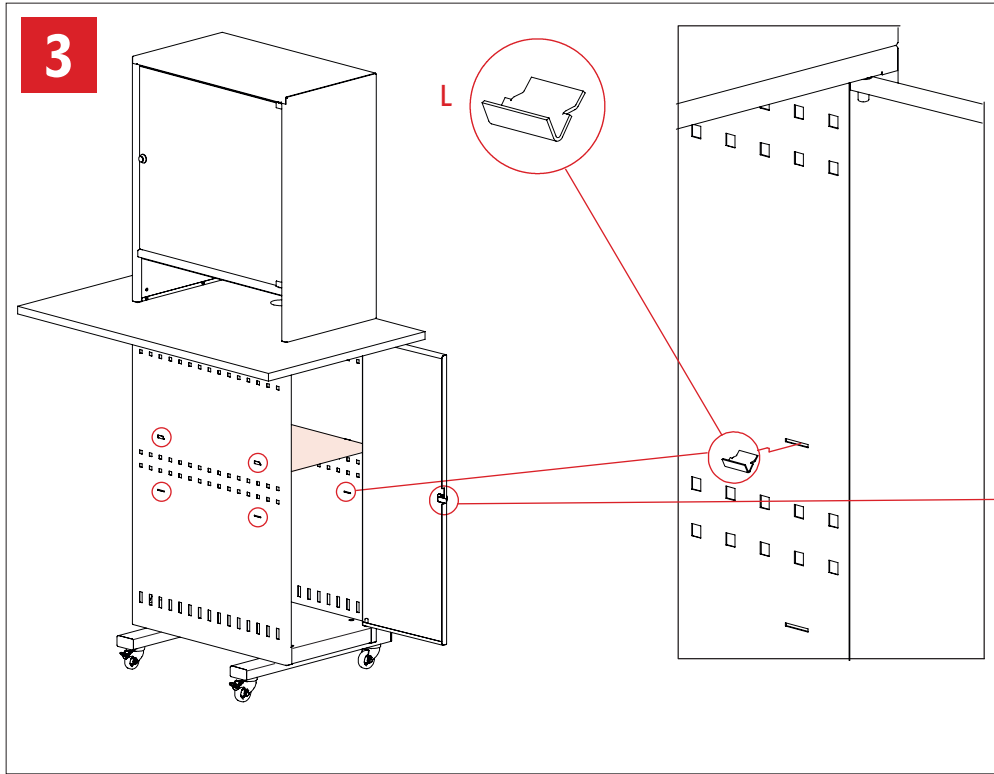
SW 8	C	2x/2x		
	D	4x		
	E	4x	M6x35 mm	
SW 10	F	4x	M6	
	G	4x	M10x16 mm	

stationär - stationary - stationaire



SW 5	H	4x	M6x35 mm	
	I	4x	ST3,5x9,5mm	





	J	2x	
	K	2x	
	L	4x	

